

Snow blowers

powered by



**KRAMER**



## Price list 2016

Edition:	1.0/2016
Valid as of:	01.07.2016
Language:	English

## Legend

Issue	Published
1.0/2016	07/2016

Copyright – 2016 Kramer-Werke GmbH  
Printed in Germany  
All rights reserved

This document may be used by the receiver only for the designated purpose. It may in no way be duplicated or translated in any other language, in whole or in part, without prior permission in writing from the manufacturer.

This price list supersedes all price lists previously published.

Subject to technical modifications, errors and omissions.

The cover features machines with possible optional equipment.

Kramer-Werke GmbH  
Wacker-Neuson-Str. 1  
D-88630 Pfullendorf  
Phone 0080090209020  
E-mail [info@kramer.de](mailto:info@kramer.de)  
[www.kramer.de](http://www.kramer.de)

For internal use only!



## Contact

All products in this price list can be ordered direct from ZAUGG AG EGGIWIL. Conditions differ from Kramer's usual discount system.

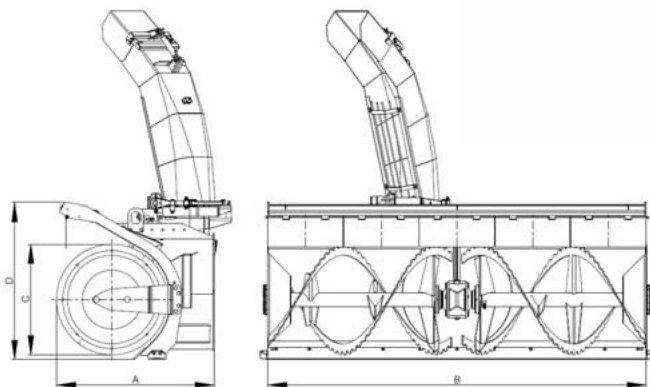
	Languages	Phone	Mobile	E-mail
<b>Kramer-Werke GmbH:</b>				
Samuel Rist	DE, EN	+49 7552 92 88 123	0174 3456 361	s.rist@kramer.de
<b>ZAUGG AG EGGIWIL:</b>				
<b>Sales:</b>				
Benjamin Steiner	DE	+41 34 491 80 83	0041 79 744 09 59	benjamin.steiner@zaugg.swiss
Marlene Stettler	EN	+41 34 491 80 85		marlene.stettler@zaugg.swiss
<b>Service:</b>				
Walter Witschi	DE, EN, FR	+41 34 491 81 82		walter.witschi@zaugg.swiss
<b>Spare parts:</b>				
Walter Witschi	DE, EN, FR	+41 34 491 81 82		walter.witschi@zaugg.swiss
<b>Order address:</b>				
ZAUGG AG EGGIWIL				
Holzmatt				
CH 3537 Eggiwil/Switzerland				

## Compatibility

	SF 40 42-120	SF 55 52-130	SF 55 52-180	SF 65E 60-180	SF 65E 60-200	SF 72E-70-246	SF 72-70-246 Monoblock
<b>8 series</b>							
480 / 8085				x	x		
580 / 8095 / KL37.8				x	x		
680 / 8105					x		
8115/KL43.8					x		x
<b>5 series</b>							
350 / 5035 / KL12.5 40 l hydraulics	x						
350 / 5035 / KL12.5 60 l hydraulics	x	x					
550 / 5055 / KL19.5			x				
650 / 5065			x				
<b>Telescopic loaders</b>							
8085T/KL30.8T				x	x		
680T / 8095T / KL35.8T					x		

All snow blowers are delivered with Kramer quickhitch, cables and hoses according to compatibility list and in RAL 2011 (orange for utilities).

## Technical data



	A [mm]	B [mm]	C [mm]	D [mm]	Weight [kg]
SF 40-42	550	1,200	400	550	140
SF 55-52	770	1,300 1.800	550	750	240
SF 65E-60	925	1.800 2,000	650	940	380 400
SF72E-70	1,025	2.460	720	1,000	520
Monoblock	–	2.460	720	1,000	1.800

## Required machine options

- Low-speed control and manual throttle
- Powerflow high-performance hydraulics
- Socket for front implements



**Order**

Our order:

**List price:**

**Basic machine:**

**Options:**

**RAL colour:**

**Total list price:**

**Discount:**

**Freight:**

**Kramer carrier machine:**

**Type:**

**Year of construction:**

**Powerflow yes/No**

**Front socket yes/no**

**Invoice address:**

**Company**

**Contact**

**Street**

**Postcode**

**Place**

**Country**

**Phone**

**Zaugg customer number (if existing)**

**Delivery address:**

**Company**

**Contact**

**Street**

**Postcode**

**Place**

**Country**

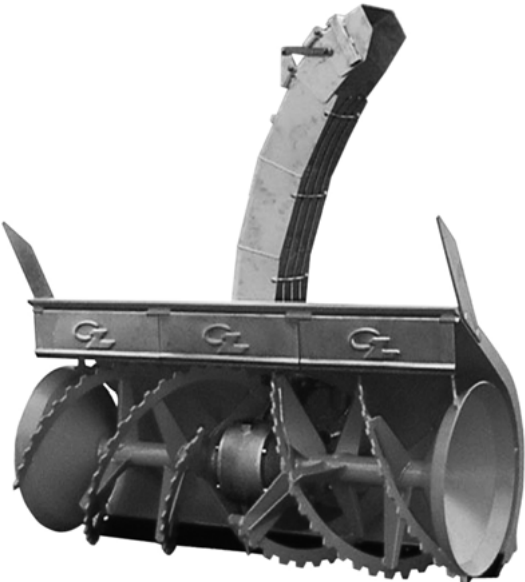
**Phone**





Price list/offer template


	Cutter diameter [cm]	Clearing width [m]	Ejection distance [m]	Clearing performance [t/h]	List price [EUR]	
<b>SF 40-42</b>						
SF 40-42-R-120	40	1.20	16	120	<b>13.601,07</b>	
SF 40-42-R-130	40	1.30	16	120	<b>13.940,70</b>	
	<ul style="list-style-type: none"> <li>• Snow blower for hard snow</li> <li>• Hardened high-grade steel toothed cutter</li> <li>• Angular gear</li> <li>• Robust cutter housing</li> <li>• Adjustable slides</li> <li>• Ejection fan</li> <li>• Slip clutch</li> <li>• Two lateral blades</li> <li>• Plastic chute with 1 segment</li> <li>• Hydraulic ejection regulation and rotation</li> <li>• Exchangeable scrapers</li> </ul> <p><b>Paint finish</b></p> <ul style="list-style-type: none"> <li>• Housing: RAL 2011</li> <li>• Cutter: red</li> <li>• Mount: grey</li> </ul>					
	<b>Options</b>					
	Paint coating of housing other than standard					Upon inquiry
	<b>Total incl. all options:</b>					

	Cutter diameter [cm]	Clearing width [m]	Ejection distance [m]	Clearing performance [t/h]	List price [EUR]																												
<b>SF 55-52</b>																																	
SF 55-52-R-130	55	1.30	21	160	<b>19.270,96</b>																												
SF 55-52-R-180	55	1.80	21	180	<b>23.819,77</b>																												
 <ul style="list-style-type: none"> <li>• Snow blower for hard snow</li> <li>• Hardened high-grade steel toothed cutter</li> <li>• Angular gear</li> <li>• Robust cutter housing</li> <li>• Adjustable slides</li> <li>• Ejection fan</li> <li>• Two lateral blades</li> <li>• Stainless-steel ejection chute with 2 segments</li> <li>• Hydraulic ejection regulation and rotation</li> <li>• Exchangeable scrapers</li> <li>• Mechanical lateral inclination</li> </ul> <p><b>Paint finish</b></p> <ul style="list-style-type: none"> <li>• Housing: RAL 2011</li> <li>• Cutter: red</li> <li>• Mount: grey</li> </ul>																																	
						<p><b>Options</b></p> <table border="1"> <tr> <td>Paint coating of housing other than standard</td> <td>Upon inquiry</td> </tr> <tr> <td>Chute extension 0.6 m</td> <td>1.173,20</td> </tr> <tr> <td>Chute extension 0.8 m</td> <td>1.173,20</td> </tr> <tr> <td>Chute extension 1.0 m</td> <td>1.173,20</td> </tr> <tr> <td>Chute extension 1.2 m</td> <td>1.173,20</td> </tr> <tr> <td>Chute extension 1.6 m</td> <td>1.173,20</td> </tr> <tr> <td>Wear rings</td> <td>281,93</td> </tr> <tr> <td>Hydraulic lateral inclination</td> <td>654,80</td> </tr> <tr> <td colspan="2"><b>Only in connection with:</b></td> </tr> <tr> <td>8/3 way electrovalve block 12 V with connector and cable</td> <td>677,54</td> </tr> <tr> <td>400 mm side shift</td> <td>Upon inquiry</td> </tr> <tr> <td colspan="2"><b>Only in connection with:</b></td> </tr> <tr> <td>10/4 way electrovalve block 12 V with connector and cable</td> <td>677,54</td> </tr> <tr> <td colspan="2"><b>Total incl. all options:</b></td> </tr> </table>						Paint coating of housing other than standard	Upon inquiry	Chute extension 0.6 m	1.173,20	Chute extension 0.8 m	1.173,20	Chute extension 1.0 m	1.173,20	Chute extension 1.2 m	1.173,20	Chute extension 1.6 m	1.173,20	Wear rings	281,93	Hydraulic lateral inclination	654,80	<b>Only in connection with:</b>		8/3 way electrovalve block 12 V with connector and cable	677,54	400 mm side shift	Upon inquiry
Paint coating of housing other than standard	Upon inquiry																																
Chute extension 0.6 m	1.173,20																																
Chute extension 0.8 m	1.173,20																																
Chute extension 1.0 m	1.173,20																																
Chute extension 1.2 m	1.173,20																																
Chute extension 1.6 m	1.173,20																																
Wear rings	281,93																																
Hydraulic lateral inclination	654,80																																
<b>Only in connection with:</b>																																	
8/3 way electrovalve block 12 V with connector and cable	677,54																																
400 mm side shift	Upon inquiry																																
<b>Only in connection with:</b>																																	
10/4 way electrovalve block 12 V with connector and cable	677,54																																
<b>Total incl. all options:</b>																																	






	Cutter diameter [cm]	Clearing width [m]	Ejection distance [m]	Clearing performance [t/h]	List price [EUR]
<b>SF 65E-60</b>					
<b>SF 65E-60-R-180</b>	65	1.80	21	300	<b>20.566,68</b>
<b>SF 65E-60-R-200</b>	65	2.00	21	300	<b>20.902,68</b>
<div style="display: flex; align-items: center;">  <div style="width: 70%;"> <ul style="list-style-type: none"> <li>Snow blower for hard snow</li> <li>Hardened high-grade steel toothed cutter</li> <li>Angular gear</li> <li>Robust cutter housing</li> <li>Adjustable slides</li> <li>Ejection fan</li> <li>Shearing pins</li> <li>Two lateral blades</li> <li>Steel ejection chute with 3 segments (grey paint coating)</li> <li>Hydraulic ejection regulation and rotation</li> <li>Exchangeable scrapers and lateral bearing</li> <li>Mechanical lateral inclination</li> </ul> <p><b>Paint finish</b></p> <ul style="list-style-type: none"> <li>Housing: RAL 2011</li> <li>Cutter: red</li> <li>Mount: grey</li> </ul> </div> </div>					
<b>Options</b>					
Paint coating of housing other than standard					Upon inquiry
Chute extension 0.8 m					1.409,65
Chute extension 1.0 m					1.409,65
Chute extension 1.2 m					1.409,65
Wear rings					336,50
Hydraulic lateral inclination					559,31
<b>Only in connection with:</b>					
8/3 way electrovalve block 12 V with connector and cable					677,54
500 mm side shift					Upon inquiry
<b>Only in connection with:</b>					
10/4 way electrovalve block 12 V with connector and cable					677,54
Slide (wide)					841,98
Track roller 125 mm (solid rubber)					614,15
Track roller 200 mm (solid rubber)					990,57
Pneumatic tyre 270 mm					1.971,23
<b>Total incl. all options:</b>					

	Cutter diameter [cm]	Clearing width [m]	Ejection distance [m]	Clearing performance [t/h]	List price [EUR]																				
<b>SF 72E-70</b>																									
<b>SF 72E-70-246</b>	72	2,46	20	430	<b>32.641,87</b>																				
	<ul style="list-style-type: none"> <li>• Snow blower for hard snow</li> <li>• Hardened high-grade steel toothed cutter</li> <li>• Angular gear</li> <li>• Robust cutter housing</li> <li>• Adjustable slides</li> <li>• Ejection fan</li> <li>• Shearing pins</li> <li>• Two lateral blades</li> <li>• Steel ejection chute with 2 segments</li> <li>• Hydraulic ejection regulation and rotation</li> <li>• Exchangeable scrapers and lateral bearing</li> <li>• Mechanical lateral inclination</li> </ul> <p><b>Paint finish</b></p> <ul style="list-style-type: none"> <li>• Housing: RAL 2011</li> <li>• Cutter: red</li> <li>• Mount: grey</li> </ul>																								
	<p><b>Options</b></p> <table border="1"> <tr> <td>Paint coating of housing other than standard</td> <td>Upon inquiry</td> </tr> <tr> <td>Chute extension 0.8 m</td> <td>2.159,96</td> </tr> <tr> <td>Chute extension 1.0 m</td> <td>2.159,96</td> </tr> <tr> <td>Chute extension 1.2 m</td> <td>2.159,96</td> </tr> <tr> <td>Wear rings</td> <td>279,66</td> </tr> <tr> <td>Chute with 4 segments</td> <td>3.118,50</td> </tr> <tr> <td>Hydraulic lateral inclination</td> <td>682,10</td> </tr> <tr> <td colspan="2"><b>Only in connection with:</b></td> </tr> <tr> <td>8/3 way electrovalve block 12 V with connector and cable</td> <td>677,54</td> </tr> <tr> <td colspan="2"><b>Total incl. all options:</b></td> </tr> </table>						Paint coating of housing other than standard	Upon inquiry	Chute extension 0.8 m	2.159,96	Chute extension 1.0 m	2.159,96	Chute extension 1.2 m	2.159,96	Wear rings	279,66	Chute with 4 segments	3.118,50	Hydraulic lateral inclination	682,10	<b>Only in connection with:</b>		8/3 way electrovalve block 12 V with connector and cable	677,54	<b>Total incl. all options:</b>
Paint coating of housing other than standard	Upon inquiry																								
Chute extension 0.8 m	2.159,96																								
Chute extension 1.0 m	2.159,96																								
Chute extension 1.2 m	2.159,96																								
Wear rings	279,66																								
Chute with 4 segments	3.118,50																								
Hydraulic lateral inclination	682,10																								
<b>Only in connection with:</b>																									
8/3 way electrovalve block 12 V with connector and cable	677,54																								
<b>Total incl. all options:</b>																									



	Cutter diameter [cm]	Clearing width [m]	Ejection distance [m]	Clearing performance [t/h]	List price [EUR]						
<b>Monoblock</b>											
SF 72-70-246 monoblock	72	Up to 2.70	18	Up to 1000	Upon inquiry						
 <p><b>Engine unit:</b></p> <ul style="list-style-type: none"> <li>• Water-cooled</li> <li>• 110 hp</li> <li>• 60 l fuel tank</li> </ul> <p><b>Controls:</b></p> <ul style="list-style-type: none"> <li>• Joystick with adjustable base</li> </ul> <p><b>Snow blower:</b></p> <ul style="list-style-type: none"> <li>• Cutter open on sides</li> <li>• Overload protection via cutoff clutch</li> <li>• Hydraulic adjustment of lateral inclination</li> <li>• Adjustable slides</li> <li>• Mechanical power transmission with multi-disc clutch and toothed belt</li> <li>• Stainless-steel ejection chute with hydraulic rotation and inclination</li> </ul> <p><b>Paint finish</b></p> <ul style="list-style-type: none"> <li>• Housing: RAL 2011</li> <li>• Cutter: red</li> <li>• Mount: grey</li> </ul>											
						<b>Options</b>					
						Paint coating of housing other than standard					Upon inquiry
<b>Total incl. all options:</b>											





## Description of options

### 7.1 Chute extension



**Description:**

This optional extension of the output chute is mainly used for loading snow onto lorries. Depending on the type of snow blower, it is available in various lengths and is supplied with a set of matching hydraulic hoses based chute height and hydraulic equipment.

### 7.2 Lateral displacement



**Description:**

The snow blower can be displaced laterally by  $\pm 250$  mm.

